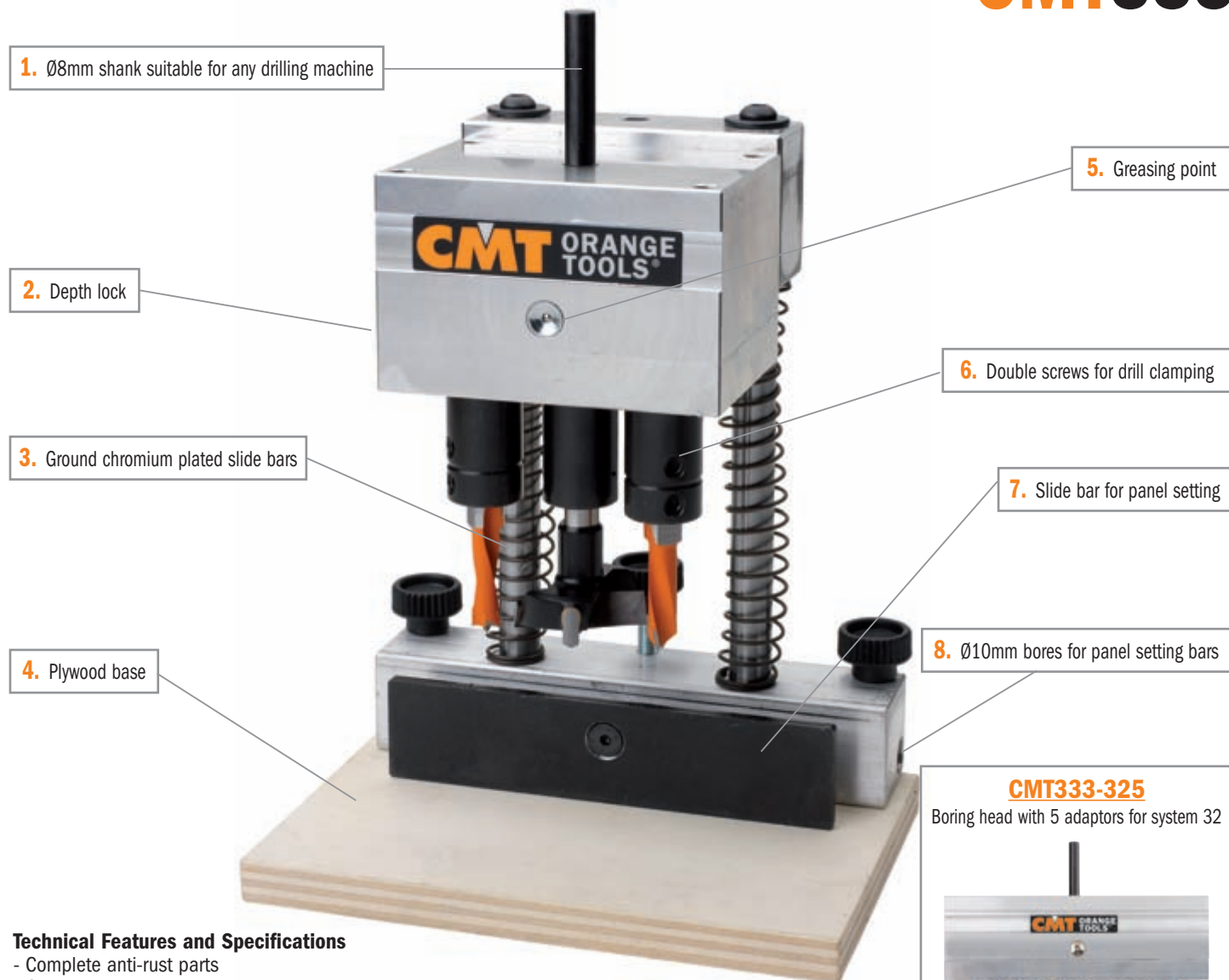


The innovative CMT333 hinges boring system with 3 spindle-head allow you to bore the holes for any hinges brand, from Salice to Blum, from Hettich to Würth, from Mepla to Grass. The universal modular base supports the installation of 5 different boring heads engineered by the worldwide leading company for the industrial boring machines. Use the CMT333 universal hinges boring system on all hand or standing drilling power tools!

MADE IN ITALY
CMT333



Technical Features and Specifications

- Complete anti-rust parts
- Ground aluminium (Avional)
- Max 5000 RPM
- Six radial antifriction bearings

Safety Tips: for lubrication use oil Mobil SHC100



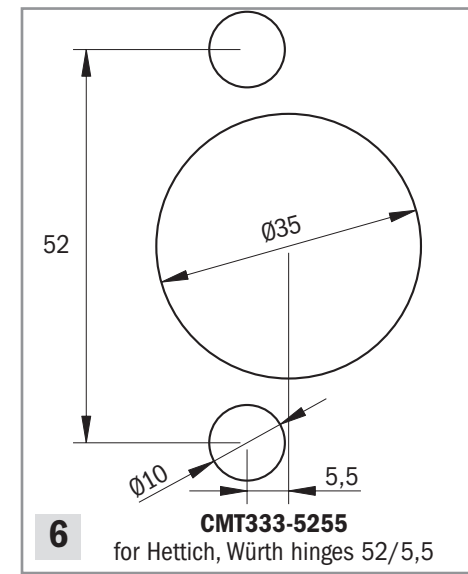
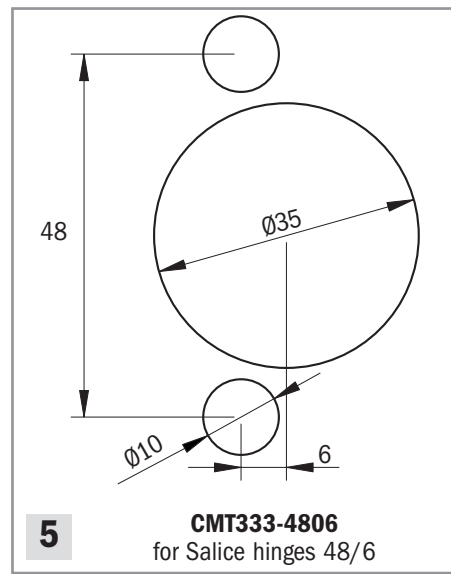
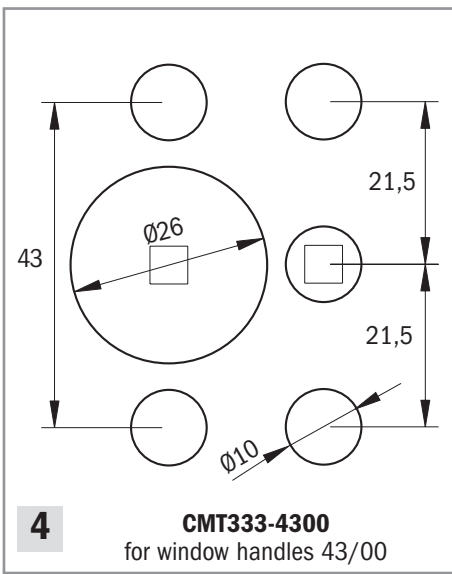
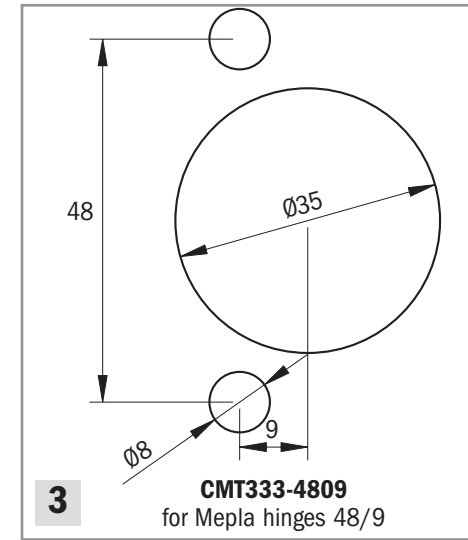
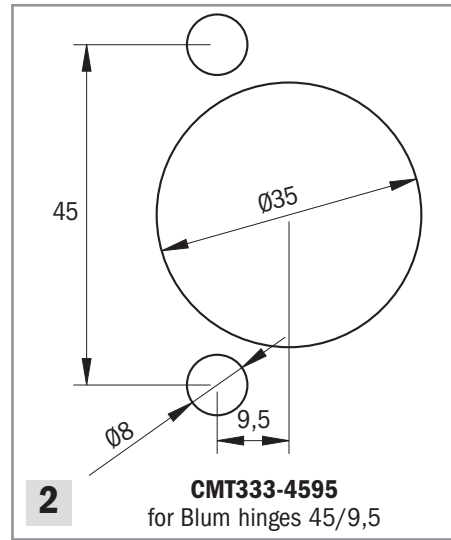
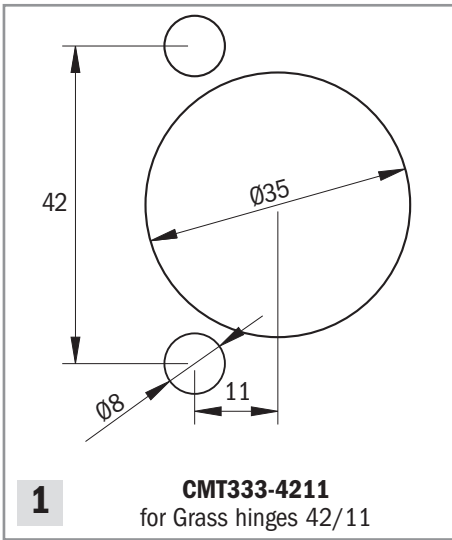
To use on standing drilling machines



To use on standing drilling power tools



To use on CMT Industrio™ router table



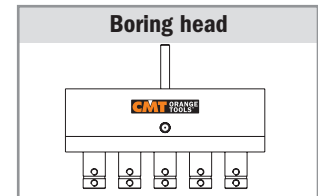
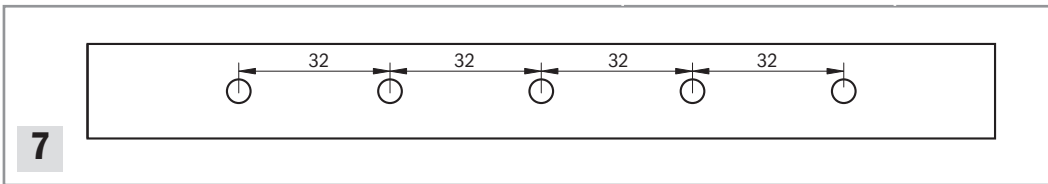
MAXIMUM VERSATILITY FOR ANY BRAND

Make your set

Choose your hinge

1	Grass	42/11
2	Blum	45/9,5
3	Mepla	48/9
4	Window handles	43/00
5	Salice	48/6
6	Hettich, Würth	52/5,5

Support modular base	Boring heads	Drill bits	Boring bit
ORDER NO.	ORDER NO.	ORDER NO.	ORDER NO.
CMT333	CMT333-4211 Grass	310.080.12 (2 pcs.)	317.350.11
CMT333	CMT333-4595 Blum	310.080.12 (2 pcs.)	317.350.11
CMT333	CMT333-4809 Mepla	310.080.12 (2 pcs.)	317.350.11
CMT333	CMT333-4300 W/handles	310.100.12 (2 pcs.)	317.260.11
CMT333	CMT333-4806 Salice	310.100.12 (2 pcs.)	317.350.11
CMT333	CMT333-5255 Hettich	310.100.12 (2 pcs.)	317.350.11



7 Boring head with 5 adaptors for system 32

CMT333-325