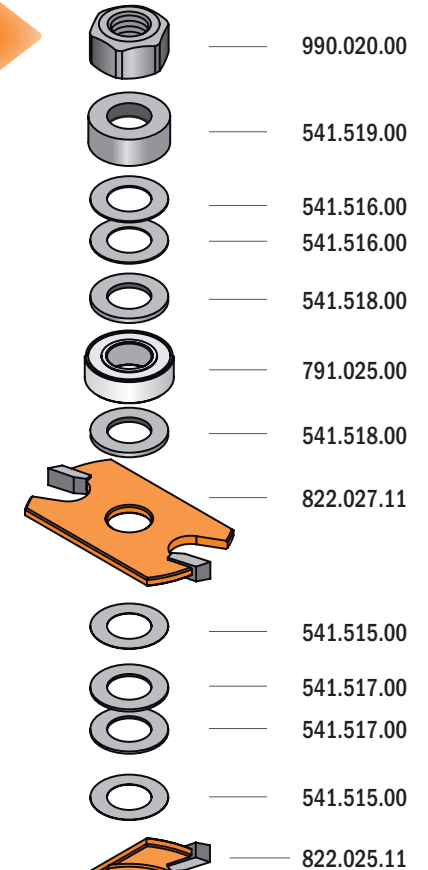


**800.624.11** (Shank 1/2") - ASSEMBLY FOR 1/2" CUTTING DEPTH

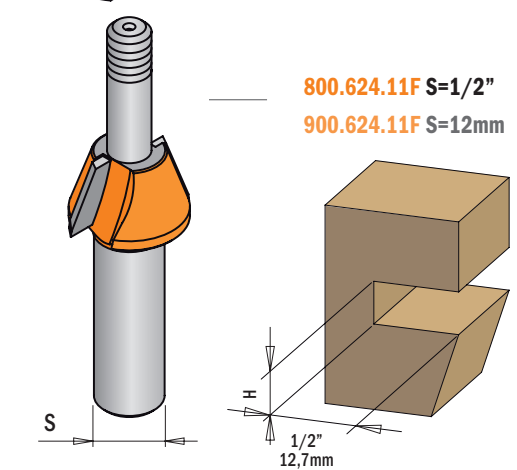
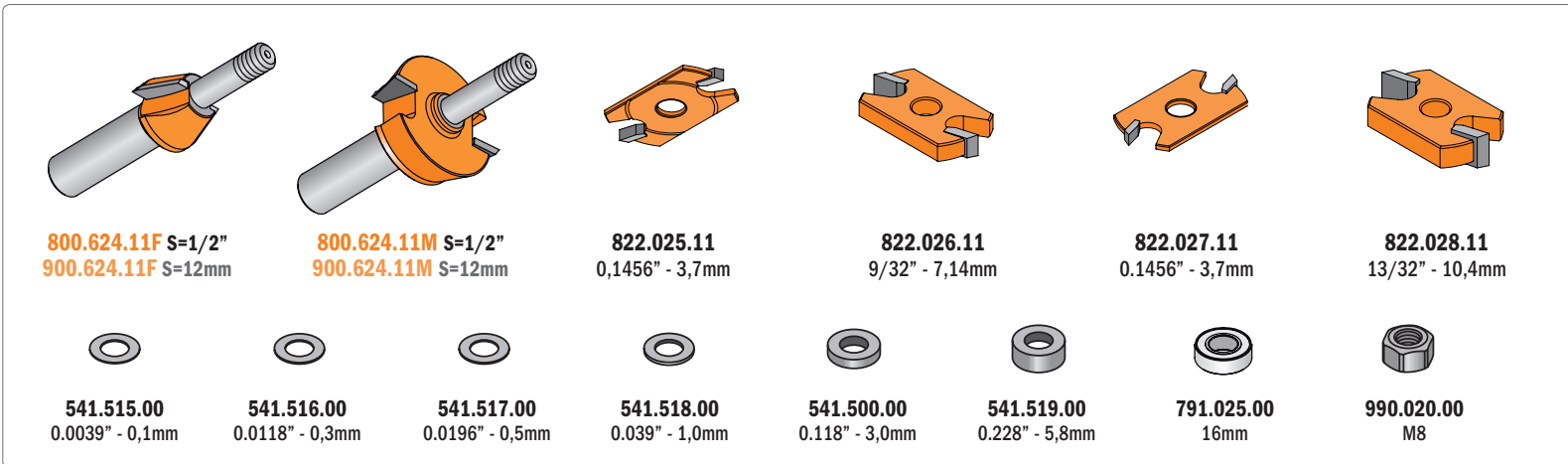
**900.624.11** (Shank 12mm) - ASSEMBLY FOR 12,7MM CUTTING DEPTH

**GROOVE - Cutting Heigh (H)**

Assembly sequence n°	13/64" 5,15mm	7/32" 5,55mm	15/64" 5,95mm	1/4" 6,35mm	17/64" 6,75mm	9/32" 7,15mm	7/16" 11,1mm	29/64" 11,5mm	15/32" 11,9mm	31/64" 12,3mm	1/2" 12,7mm	33/64" 13,1mm	17/32" 13,5mm
14	990.020.00	990.020.00	990.020.00	990.020.00	990.020.00	990.020.00	990.020.00	990.020.00	990.020.00	990.020.00	990.020.00	990.020.00	990.020.00
13	541.519.00	541.519.00	541.519.00	541.519.00	541.519.00	541.519.00	541.515.00	541.515.00	541.515.00	541.517.00	541.515.00	541.515.00	541.516.00
12	541.515.00	541.516.00	541.516.00	541.516.00	541.515.00	541.516.00	541.515.00	541.516.00	541.515.00	541.517.00	541.515.00	541.515.00	541.515.00
11	541.515.00	541.515.00	541.515.00	541.516.00	541.515.00	541.517.00	541.516.00	541.517.00	541.516.00	541.518.00	541.518.00	541.516.00	791.025.00
10	541.516.00	541.517.00	541.515.00	541.518.00	541.518.00	791.025.00	541.516.00	541.517.00	541.517.00	791.025.00	791.025.00	541.516.00	541.517.00
9	541.516.00	541.517.00	541.517.00	791.025.00	791.025.00	541.518.00	541.517.00	541.518.00	541.518.00	541.518.00	541.518.00	791.025.00	541.517.00
8	541.517.00	541.518.00	541.518.00	541.518.00	541.518.00	822.027.11	541.517.00	791.025.00	791.025.00	822.027.11	822.027.11	541.517.00	822.027.11
7	541.517.00	791.025.00	791.025.00	822.027.11	822.027.11	541.517.00	541.518.00	541.518.00	541.518.00	541.515.00	541.517.00	541.517.00	541.515.00
6	541.518.00	541.518.00	541.518.00	541.515.00	541.516.00	541.516.00	791.025.00	822.027.11	822.027.11	541.516.00	541.516.00	822.027.11	541.518.00
5	791.025.00	822.027.11	822.027.11	541.517.00	541.517.00	541.515.00	541.518.00	822.027.11	822.027.11	822.026.11	822.026.11	541.518.00	822.026.11
4	541.518.00	541.516.00	541.516.00	541.517.00	541.517.00	541.515.00	822.027.11	822.026.11	822.026.11	541.516.00	541.516.00	822.026.11	541.516.00
3	822.027.11	541.515.00	541.517.00	541.515.00	541.516.00	541.518.00	822.026.11	541.515.00	541.517.00	541.515.00	541.517.00	541.518.00	541.518.00
2	822.025.11	822.025.11	822.025.11	822.025.11	822.025.11	822.025.11	822.025.11	822.025.11	822.025.11	822.025.11	822.025.11	822.025.11	822.025.11
1	8/900.624.11F	8/900.624.11F	8/900.624.11F	8/900.624.11F	8/900.624.11F	8/900.624.11F	8/900.624.11F	8/900.624.11F	8/900.624.11F	8/900.624.11F	8/900.624.11F	8/900.624.11F	8/900.624.11F



03.60.0309



**800.624.11** (Shank 1/2") - ASSEMBLY FOR 1/2" CUTTING DEPTH

**900.624.11** (Shank 12mm) - ASSEMBLY FOR 12,7MM CUTTING DEPTH

**TONGUE - Cutting Heigh (H)**

Assembly sequence n°	13/64" 5,15mm	7/32" 5,55mm	15/64" 5,95mm	1/4" 6,35mm	17/64" 6,75mm	9/32" 7,15mm	7/16" 11,1mm	29/64" 11,5mm	15/32" 11,9mm	31/64" 12,3mm	1/2" 12,7mm	33/64" 13,1mm	17/32" 13,5mm
14	990.020.00	990.020.00	990.020.00	990.020.00	990.020.00	990.020.00	990.020.00	990.020.00	990.020.00	990.020.00	990.020.00	990.020.00	990.020.00
13	541.515.00	541.515.00	541.515.00	541.516.00	541.515.00	541.500.00	541.515.00	541.515.00	541.515.00	541.516.00	541.515.00	541.515.00	541.515.00
12	541.516.00	541.516.00	541.515.00	541.516.00	541.515.00	541.500.00	541.515.00	541.516.00	541.515.00	541.516.00	541.515.00	541.515.00	541.516.00
11	541.516.00	541.517.00	541.516.00	541.518.00	541.518.00	541.516.00	541.516.00	541.517.00	541.516.00	541.518.00	541.518.00	541.516.00	541.517.00
10	541.517.00	541.517.00	541.517.00	541.518.00	541.518.00	541.517.00	541.516.00	541.517.00	541.517.00	541.518.00	541.518.00	541.516.00	541.517.00
9	541.517.00	541.518.00	541.518.00	541.500.00	541.500.00	541.518.00	541.517.00	541.518.00	541.518.00	822.028.11	822.028.11	541.517.00	822.028.11
8	541.518.00	541.518.00	541.518.00	541.500.00	541.500.00	822.028.11	541.517.00	541.518.00	541.518.00	541.500.00	541.500.00	541.517.00	541.515.00
7	541.518.00	541.500.00	541.500.00	822.028.11	822.028.11	541.515.00	541.518.00	822.028.11	822.028.11	541.515.00	541.516.00	822.028.11	541.516.00
6	541.500.00	541.500.00	541.500.00	541.517.00	541.517.00	541.515.00	541.518.00	541.500.00	541.500.00	541.517.00	541.517.00	541.500.00	541.518.00
5	541.500.00	822.028.11	822.028.11	541.515.00	541.516.00	541.516.00	822.028.11	541.516.00	541.516.00	791.025.00	791.025.00	541.518.00	541.518.00
4	822.028.11	541.516.00	541.516.00	791.025.00	791.025.00	541.517.00	541.500.00	791.025.00	791.025.00	541.515.00	541.516.00	791.025.00	791.025.00
3	541.515.00	791.025.00	791.025.00	541.515.00	541.516.00	791.025.00	791.025.00	541.515.00	541.517.00	541.517.00	541.517.00	541.518.00	541.500.00
2	791.025.00	541.515.00	541.517.00	541.517.00	541.517.00	541.518.00	541.500.00	541.500.00	541.500.00	541.500.00	541.500.00	541.500.00	541.500.00
1	8/900.624.11M	8/900.624.11M	8/900.624.11M	8/900.624.11M	8/900.624.11M	8/900.624.11M	8/900.624.11M	8/900.624.11M	8/900.624.11M	8/900.624.11M	8/900.624.11M	8/900.624.11M	8/900.624.11M

